



Applies To: **ALL Models**

April 14, 1998

Boot Band Tool

The replacement boot bands for driveshaft CV joint boots have changed. The replacement bands are a double loop type that requires a new required special tool for proper installation.

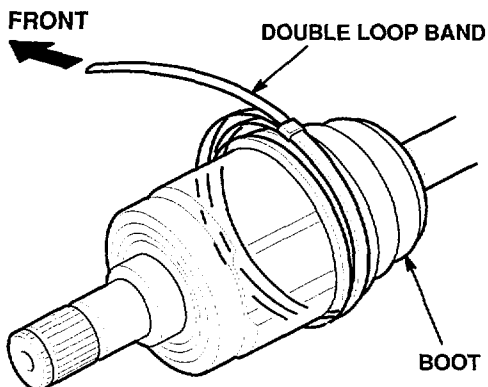
REQUIRED SPECIAL TOOL

One boot band tool (T/N KD-3191) was shipped to each current dealer. To order additional boot band tools, they are available from American Honda using the normal parts ordering procedures, or from your local tool supplier.

Boot Band Tool: T/N KD-3191, H/C 5816871

PROCEDURE

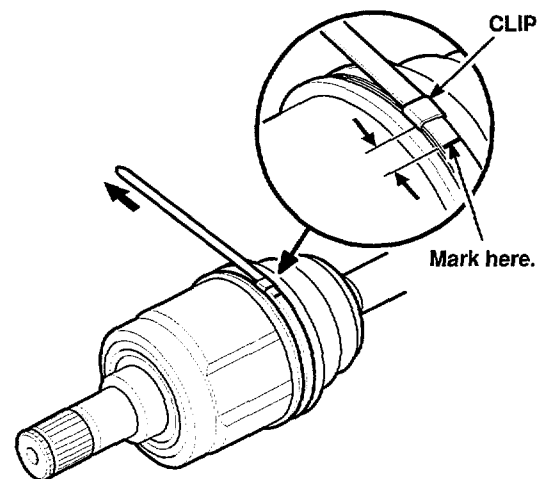
1. Remove the old boot band. Take care not to damage the boot.
2. Remove and inspect the boot. Replace the boot if it is worn or damaged.
3. Install the boot, and fill it with the specified amount of grease. Refer to the appropriate service manual for the grease type and amount.
4. Install the replacement boot band onto the boot with the end of the band toward the front of the vehicle.



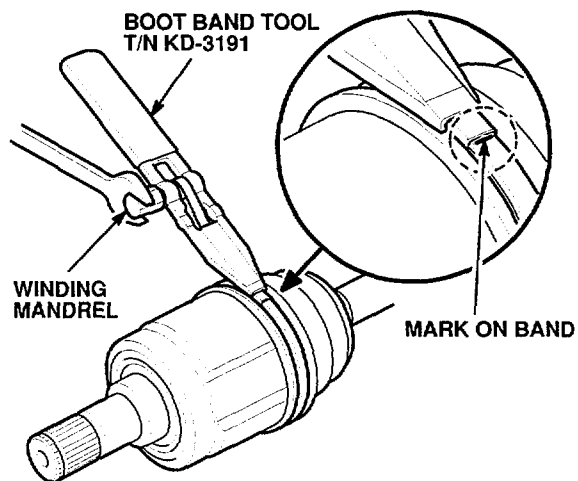
5. Take up the slack in the boot band by hand, and hold the boot band in place.

Index # **049870**

6. Measure and mark the band with a felt-tip pen the specified distance from the clip:
 - If you are installing a new boot, mark the band approximately 10 to 14 mm (0.4 to 0.6 in.) from the clip.
 - If you are reinstalling the original boot, mark the band 10 mm (0.4 in.) from the clip.



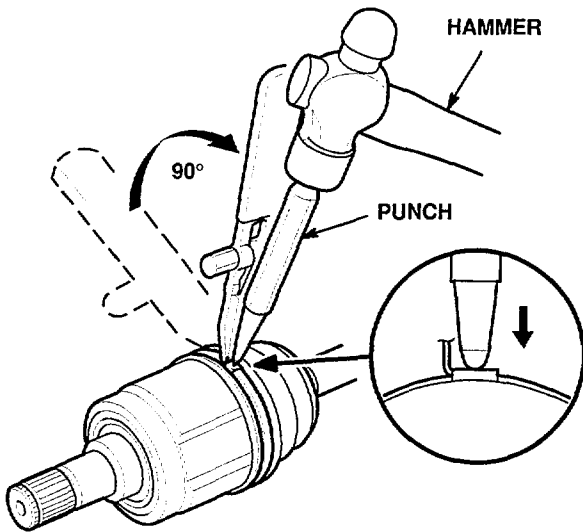
7. Thread the free end of the band through the nose section of the boot band tool and into the slot on the winding mandrel.



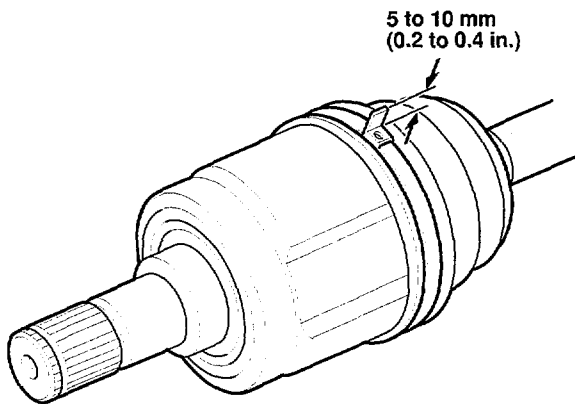
8. Take up the slack in the boot band by hand, then slowly turn the winding mandrel with a wrench. Tighten the band until the mark you made in step 6 meets the edge of the clip.



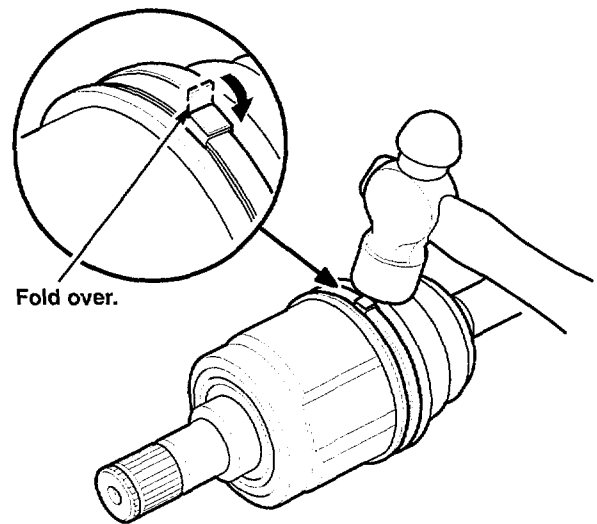
9. Raise up the boot band tool to bend the free end of the band 90 degrees, then center-punch the clip.



10. Unwind the boot band tool, and cut off the excess 5 to 10 mm (0.2 to 0.4 in.) from the clip.



11. Secure the end of the boot band by tapping it down over the clip with a hammer.



12. Make sure that the band and clip do not interfere with anything and that the band does not move.

13. Repeat steps 4 through 12 to install the boot band on the other end of the boot.