



Applies To: **ALL Models**

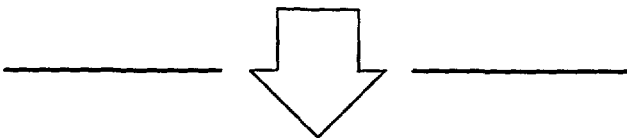
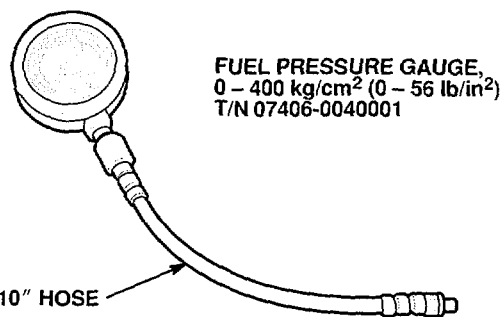
MAR 10, 1997

New Fuel Pressure Gauge and Replacement Parts

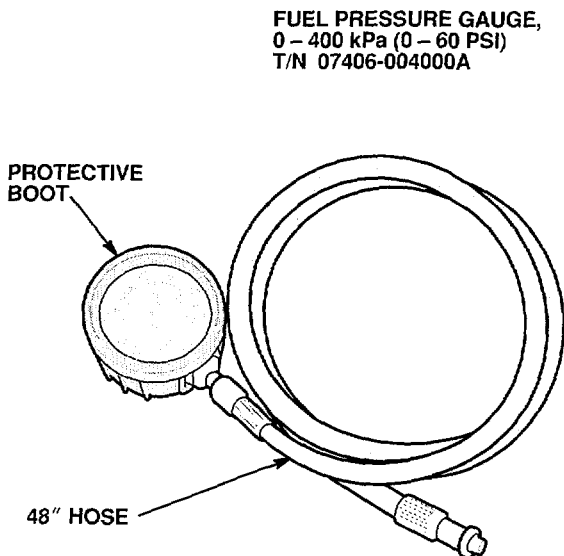
New Gauge

The fuel pressure gauge with 10" hose (T/N 07406-0040001) has been discontinued. The gauge that replaces it (T/N 07406-004000A) has an easier-to-read face, a protective boot around the gauge housing, and a 48" hose.

Discontinued:



Replaced by:



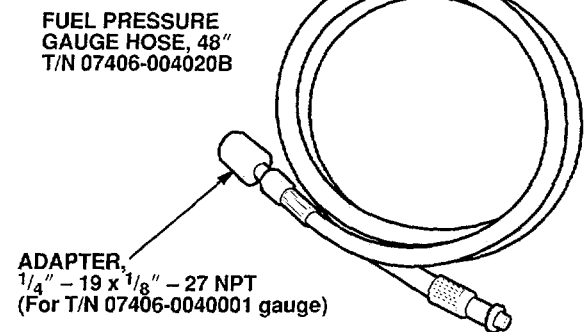
Replacement Parts

The replacement hose for the old gauge (24", T/N 07406-004020A) has also been discontinued. If you need a replacement hose, order the new 48" hose (T/N 07406-004020B). The new hose comes with an adapter so you can use it with the old fuel pressure gauge (T/N 07406-0040001).

Discontinued:



Replaced by:



Before connecting the hose to the vehicle, make sure the aluminum washer on the end of the hose seals properly. If the aluminum washer doesn't seal, replace the washer.

Replacement washers come in a set of five (T/N 07406-0040300).

**WASHER SET (Qty 5)
T/N 07406-0040300**



LINK # 048647