



Applies To: **1994-00 Accord** – ALL with M/T
1992-01 Prelude – ALL with M/T

August 7, 2001

Fifth Gear Grinds During Upshift

(Replaces 95-057, dated October 17, 2000)

SYMPTOM

The transmission grinds when you shift into 5th gear.

PROBABLE CAUSE

Misalignment from the 5th shift fork.

CORRECTIVE ACTION

Replace 5th gear, the sleeve set, and the 5th shift fork.

PARTS INFORMATION

1994-97 Accord

5th Gear: P/N 23581-PX5-A41, H/C 3858677
 Sleeve Set: P/N 23626-PX5-307, H/C 4921607
 5th Shift Fork: P/N 24200-P16-J02, H/C 6309942

1998-00 Accord

5th Gear: P/N 23581-PX5-A41, H/C 3858677
 Sleeve Set: P/N 23626-P0S-306, H/C 5614011
 5th Shift Fork: P/N 24200-P16-J02, H/C 6309942

1992-96 Prelude S

5th Gear: P/N 23581-PX5-U41, H/C 3858693
 Sleeve Set: P/N 23626-P16-307, H/C 6831465
 5th Shift Fork: P/N 24200-P16-J02, H/C 6309942

1992-96 Prelude Si, 1992-94 Prelude 4WS

5th Gear: P/N 23581-P16-S40, H/C 3940061
 Sleeve Set: P/N 23626-P16-307, H/C 6831465
 5th Shift Fork: P/N 24200-P16-J02, H/C 6309942

1993-96 Prelude VTEC

5th Gear: P/N 23581-P16-A00, H/C 4113700
 Sleeve Set: P/N 23626-P16-307, H/C 6831465
 5th Shift Fork: P/N 24200-P16-020, H/C 6309959

1997-01 Prelude, 1997-01 Prelude Type SH

5th Gear: P/N 23581-P16-S40, H/C 3940061
 Sleeve Set: P/N 23626-P16-307, H/C 6831465
 5th Shift Fork: P/N 24200-P16-020, H/C 6309959

REQUIRED MATERIALS

Honda Manual Transmission Fluid:

P/N 08798-9016, H/C 4928271
 1994-00 Accord, 1992-01 Prelude - 2 quarts
 required
 1997-01 Prelude Type SH - 2.2 quarts required

REQUIRED SPECIAL TOOLS

Bearing Separator: T/N OTC-1123

WARRANTY CLAIM INFORMATION

In warranty: The normal warranty applies.

OP#	Description		
213205	Replace 5th gear, sleeve set, and 5th shift fork		
	Model	FRT	Template ID
	1998-00 Accord	8.0	01-070A
	1994-97 Accord	7.4	01-070B
	1992-96 Prelude S	7.4	01-070C
	1992-96 Prelude Si, 1992-94 Prelude 4WS	7.4	01-070D
	1993-96 Prelude VTEC	7.4	01-070E
	1997-01 Prelude	7.4	01-070F
G	1997-01 Prelude Type SH With ATTS add	7.4 2.5	01-070G

Failed Part: P/N 23626-P16-306
 H/C 5200852

Defect Code: 042

Contention Code: B07

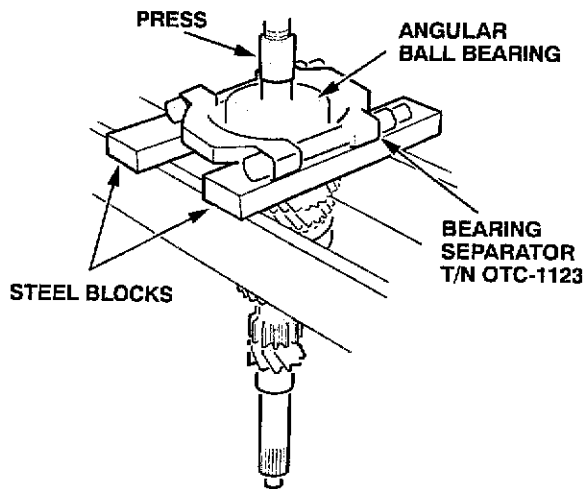
Skill Level: Repair Technician

Out of warranty: Any repair performed after warranty expiration may be eligible for goodwill consideration by the District Service Manager or your Zone Office. You must request consideration, and get a decision, before starting work.

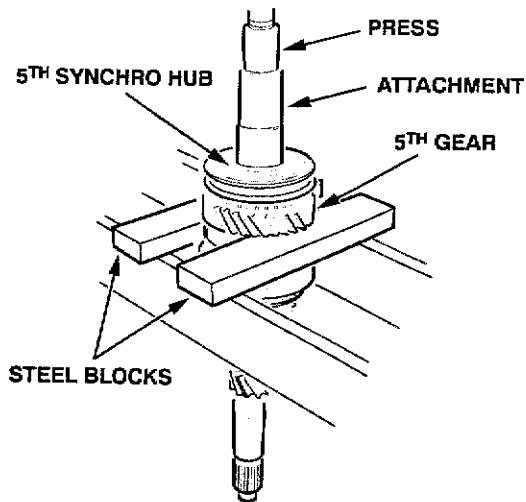
REPAIR PROCEDURE

1. Remove the transmission from the vehicle (see the Manual Transmission section of the appropriate service manual).
2. Disassemble the transmission (see the Manual Transmission section of the appropriate service manual). You do *not* need to disassemble the differential.
3. Remove any metal particles from the transmission's internal parts and from the inside of the case.

- Remove the angular ball bearing from the mainshaft using the special tool and a press.

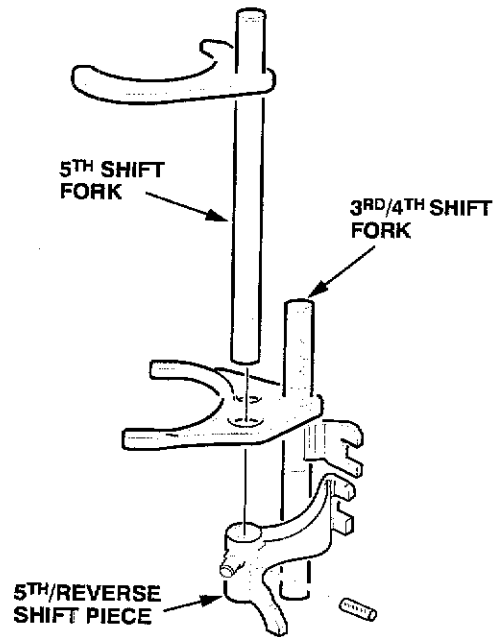


- Press the mainshaft out of the 5th synchro hub.



- Install the new 5th gear on the mainshaft.
- Install the new sleeve set (synchro ring, hub, and sleeve) on the mainshaft.
- Reassemble the rest of the removed parts on the mainshaft. Refer to the appropriate service manual for the correct reassembly procedure.

- Replace the 5th shift fork.



- Reassemble the transmission.
- Reinstall the transmission.
- Refill the transmission with Honda MTF.
- Test-drive the vehicle to make sure the transmission shifts properly.